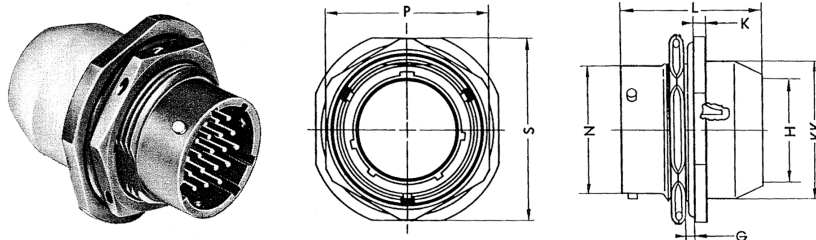


PT07P - 45107P
PT07SP - 45107RP

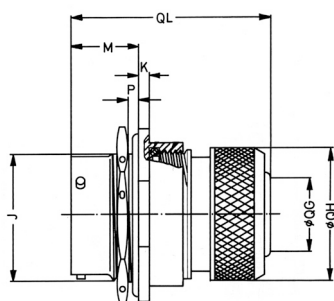
Jam nut receptacle with straight backshell for potting.



Shell size	G		H	K	L max.	M	N	P ± 0.4	S	KK
	min.	max.								
8	1.6	3.2	8.3	3.2	39.9	17.7	12.01	19.1	25.8	15.4
10	1.6	3.2	11.3	3.2	39.9	17.7	14.99	22.2	27	18.6
12	1.6	3.2	14.2	3.2	39.9	17.7	19.05	27	31.8	21.7
14	1.6	3.2	17.3	3.2	39.9	17.7	22.23	30.2	34.9	25
16	1.6	3.2	20.5	3.2	39.9	17.7	25.40	33.3	38.1	28.2
18	1.6	3.2	23.1	3.2	39.9	17.7	28.58	36.5	41.3	31.3
20	1.6	6.4	26.3	4	47.1	22.5	31.75	39.7	46	34.5
22	1.6	6.4	29.4	4	47.1	22.5	34.93	42.9	49.2	37.3
24	1.6	6.4	32.6	4	47.9	23.3	38.1	46	52.4	40.9

PT07SE (SQ)

Jam nut receptacle with SQ braid clamping backshell.



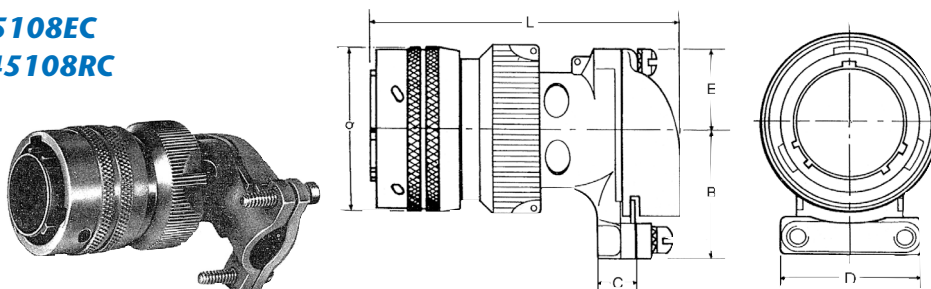
Shell size	Ø QG min.	Ø QH +0.5	QL max.	J 0 -0.25	K ±0.5	M ±0.13	P (Panel thickness)	
							min.	max.
8	6.6	16	48.4	13.46	3.0	17.68	1.6	3.2
10	9.2	18	48.4	16.64	3.0	17.68	1.6	3.2
12	12.2	22	51.4	20.78	3.0	17.68	1.6	3.2
14	15.2	25	51.4	23.93	3.0	17.68	1.6	3.2
16	18.3	28	51.4	27.08	3.0	17.68	1.6	3.2
18	20.0	32	51.4	30.25	3.0	17.68	1.6	3.2
20	23.0	34	56.4	33.43	3.8	22.45	1.6	3.2
22	26.0	38	56.4	36.60	3.8	22.45	1.6	3.2
24	28.8	41	58.0	39.78	3.8	23.39	1.6	3.2

Torque value for jam nut.

Connector size	Max. torque (m.N)
8	2,5
10	4
12	5
14	7
16	9
18	10
20	11
22	12
24	13

PT08E (SR) - 45108EC
PT08SE (SR) - 45108RC
SPT08A (SR)
SPT08E (SR)

Right angle plug with environmental cable clamp backshell.



Shell size	B	C		D	E	L	Q
		min.	max.				
8	16.6	4.3	6.6	16.5	8.6	53	18.6
10	19	4.3	9.8	19.5	10	55	21.4
12	20.6	6.7	9.6	19.5	11.4	58	25.8
14	23	7.8	13.8	24	13.2	61	29
16	26.2	8.4	16.2	26	14.8	65	32.2
18	25.8	11.2	17.4	29.5	15.8	69	34.9
20	27.4	12.9	19.6	32	17.3	71	38.5
22	28.9	13	21.8	34	18.8	72	41.7
24	32.1	16.7	23.4	35.5	20.2	78	44.7